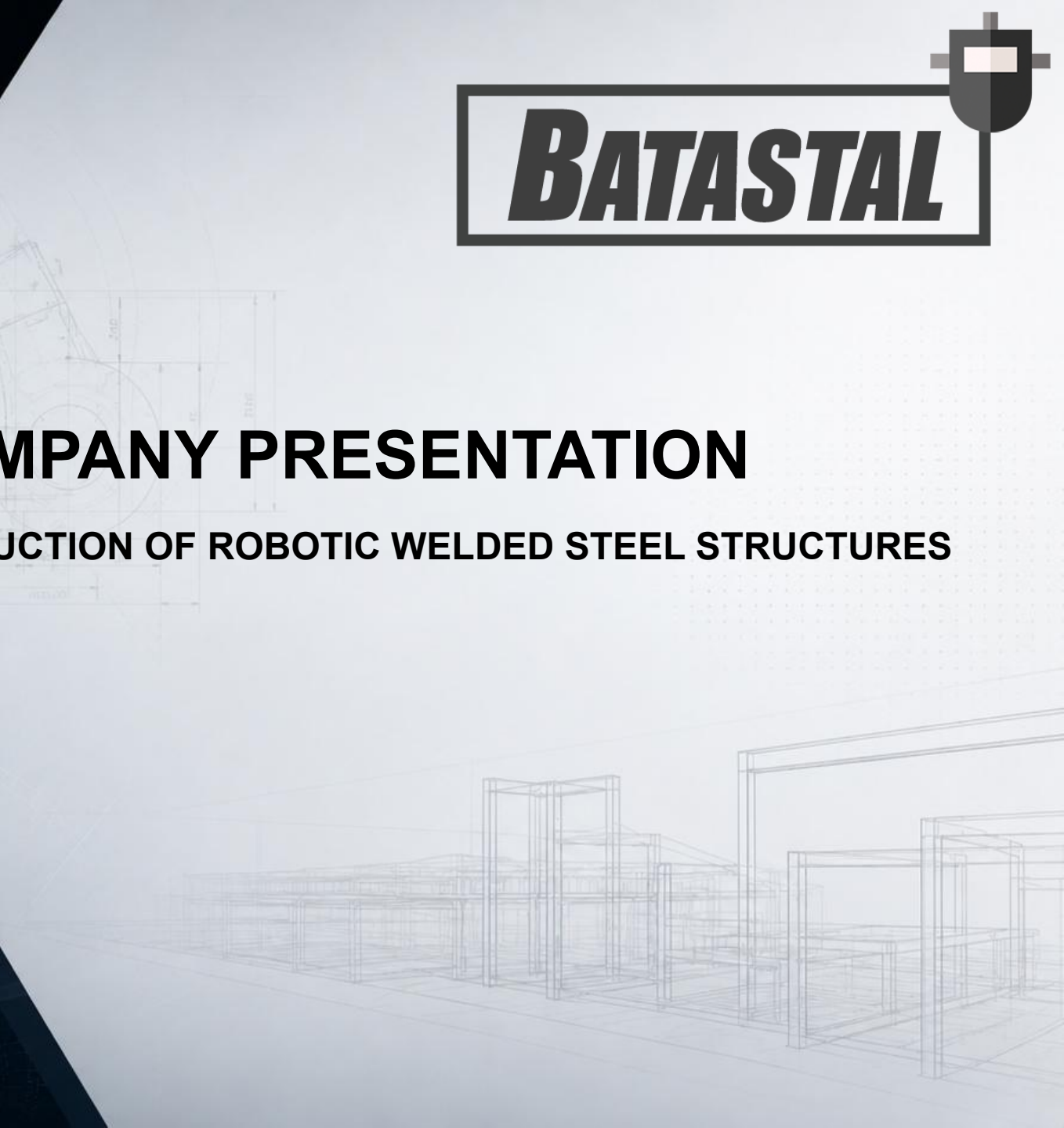




***BATASTAL***

# COMPANY PRESENTATION

PRODUCTION OF ROBOTIC WELDED STEEL STRUCTURES



## **EDUCATION**

Wrocław University of Science and Technology,  
Faculty of Mechanical and Power Engineering

## **PROFESSIONAL EXPERIENCE**

Chief Welder, Oleśnica Railway Rolling Stock Repair Works Inc.

Welding Engineer, Stelweld Ltd.

Production Manager, welding department, Polaris Polska Ltd.

Factory Director, Stelweld Ltd.

Plant Director, Aalberts Surface Technologies Heat Ltd.

## **EXPERT PRIVILEGES**

EN ISO 9606 Welders Certificate

Diploma of welding specialist in the field of railway vehicle construction

Diploma of international welding engineer IWE

Certificate of competence in visual testing VT2

Certificate of competence ultrasonic testing UT2

Licensed welding examiner Welding Institute Gliwice

Internal auditor of the ISO 9001



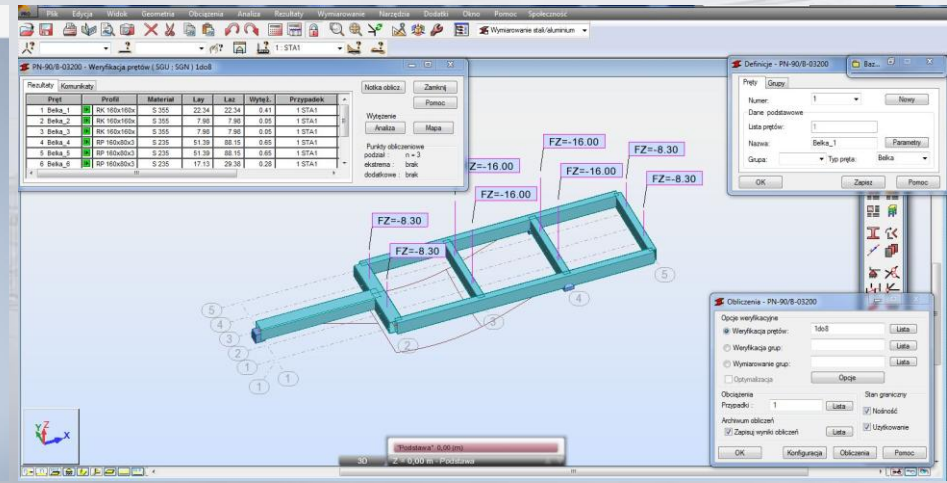
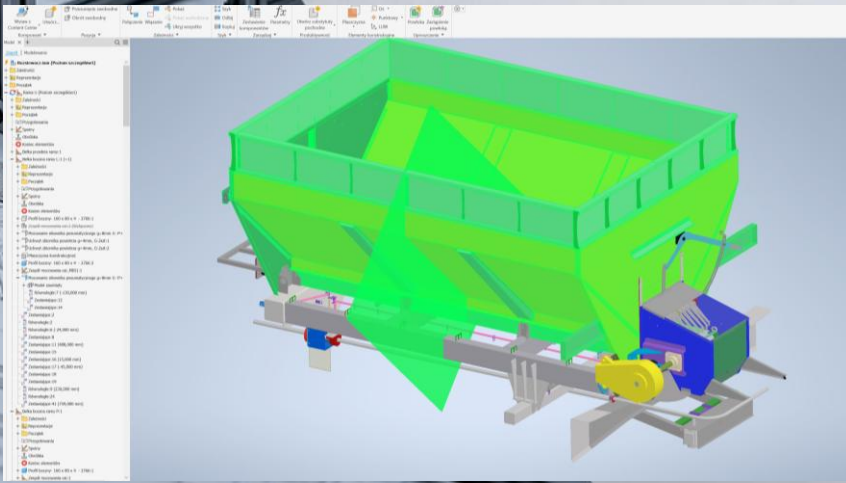
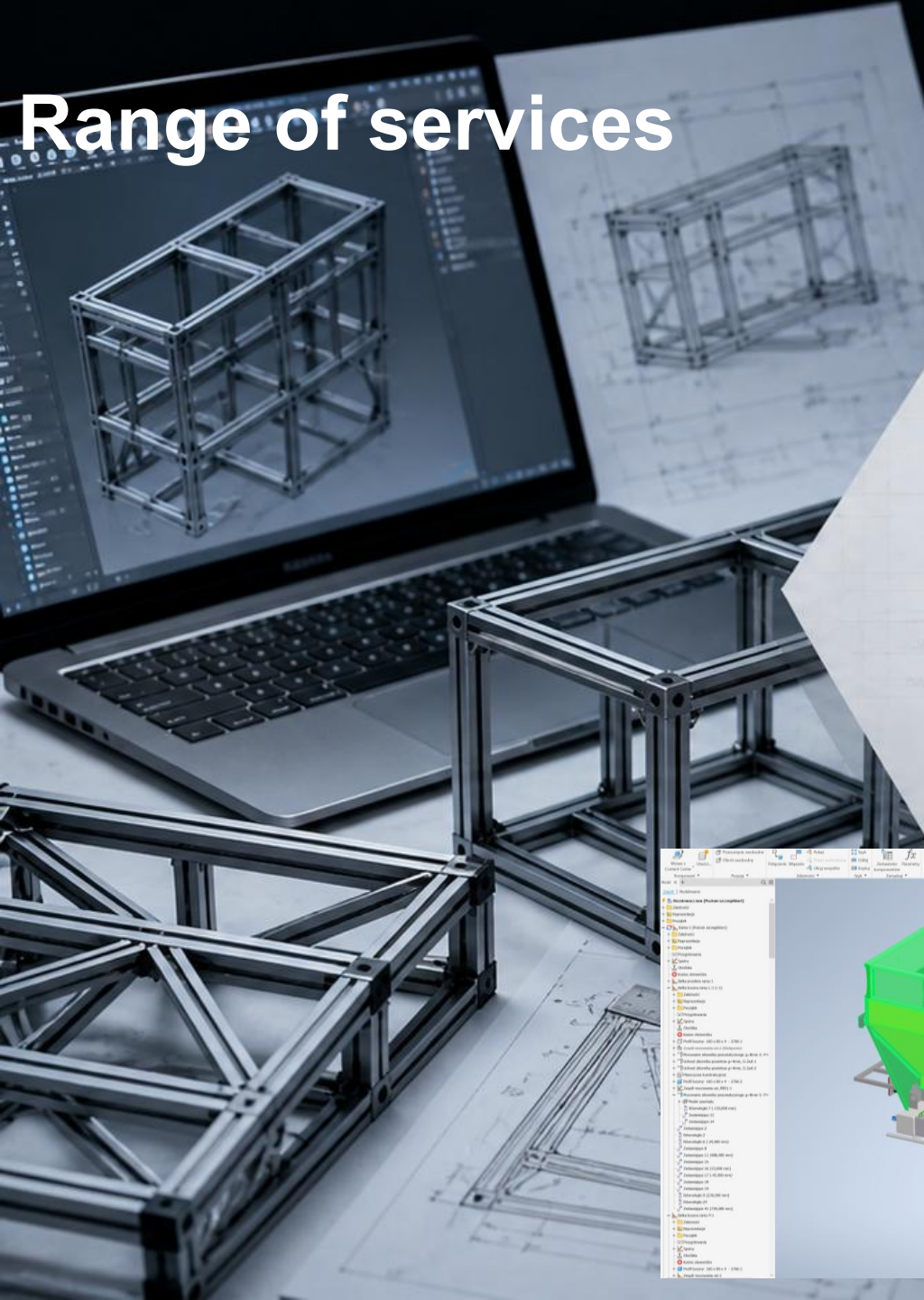
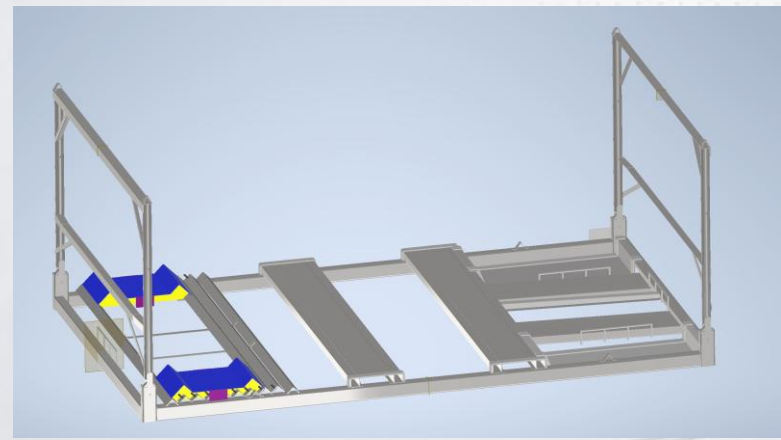
**The head of the company**



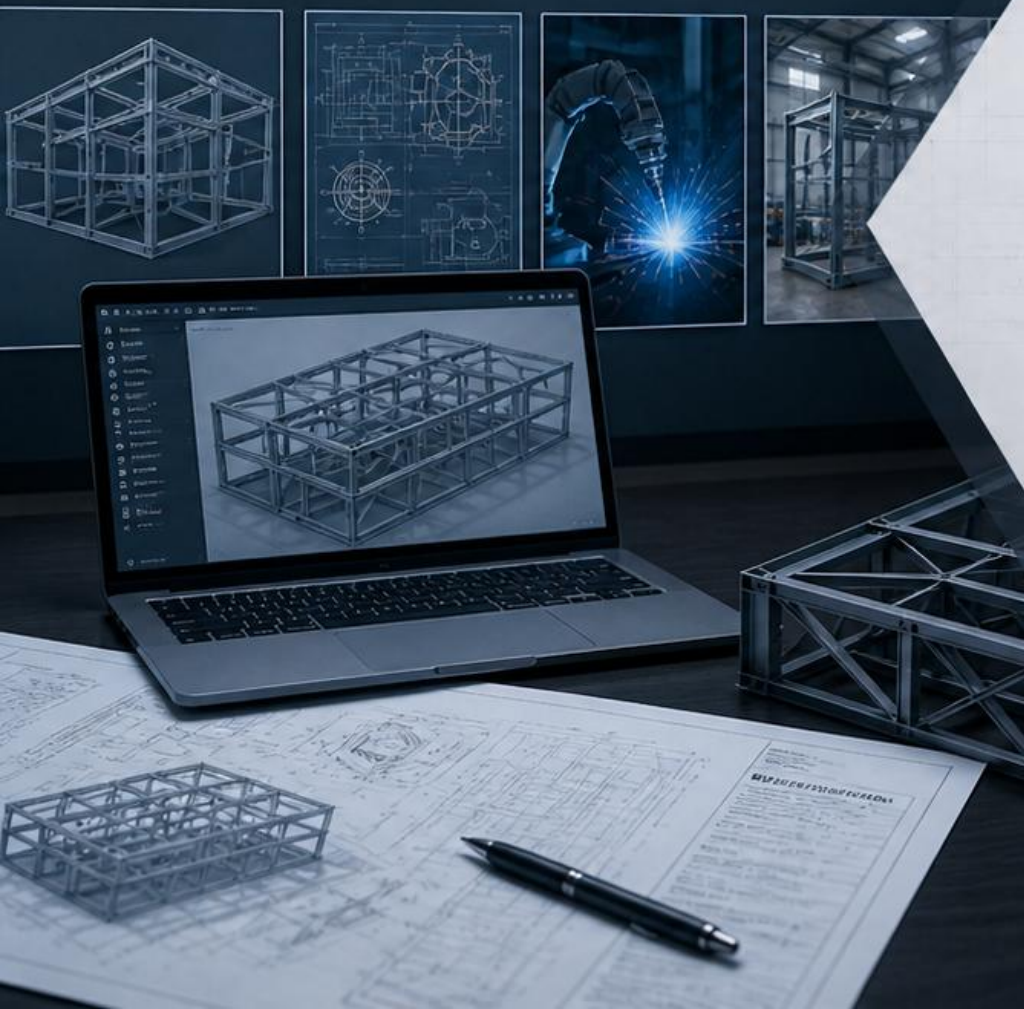
# Range of services

## DESIGN

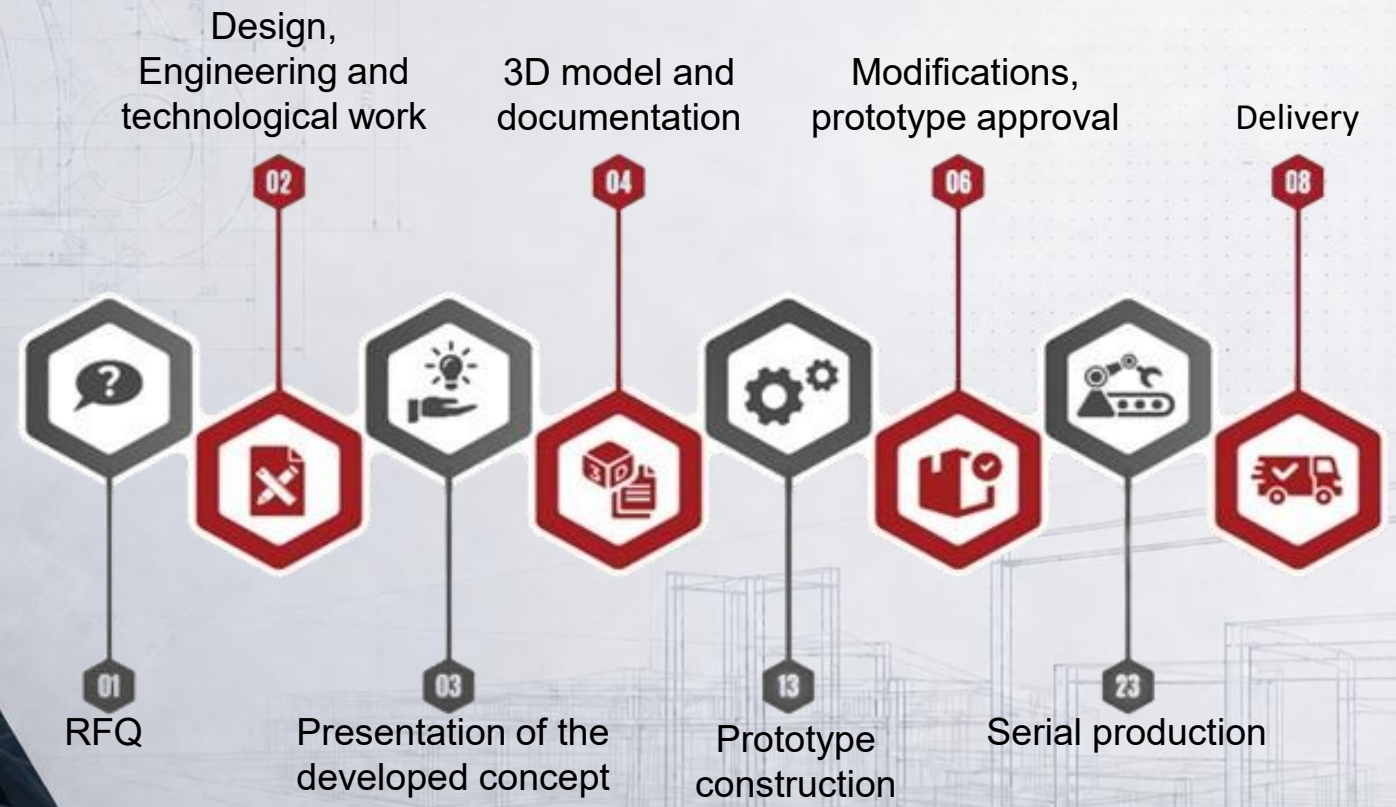
- 2D & 3D technical documentation development and adaptations
- Product design modifications
- Product production process development
- Prototypes building
- Tolling design and production
- Testing and validation



# Range of services



## PRODUCT IMPLEMENTATION PROCESS INTO PRODUCTION



# Production capabilities

**BATASTAL**

## PRODUCTION PREPARATION

Cutting,

Bedding,

Machining

Lifting capacity 3 tons

## MANUAL WELDING

EWM manual welding stations

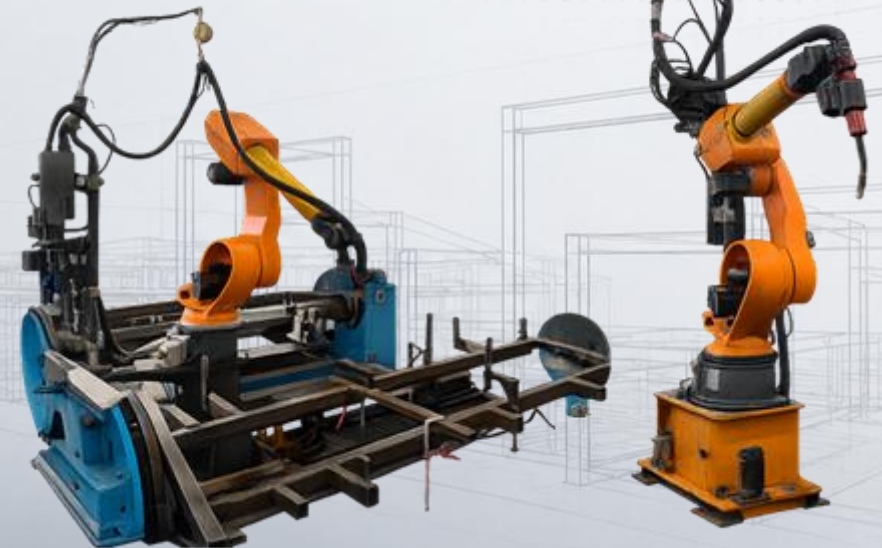
## ROBOTIC WELDING

5 robotic welding stations CLOSS, MOTOMAN

## ASSEMBLING

## PACKAGING

## SHIPPING



# Range of services

**BATASTAL**

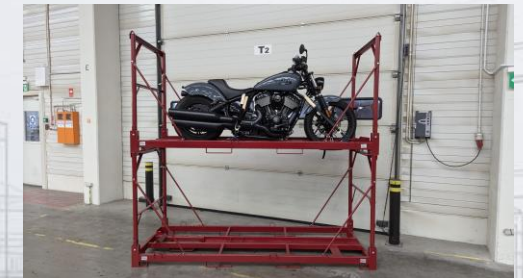
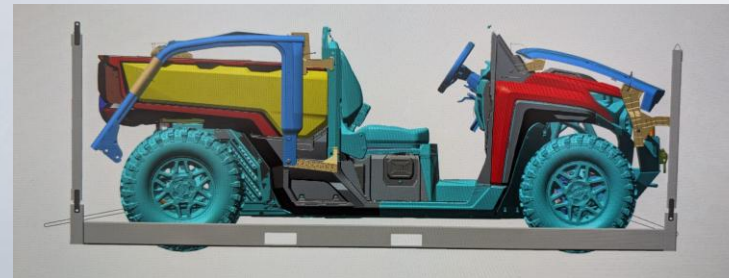
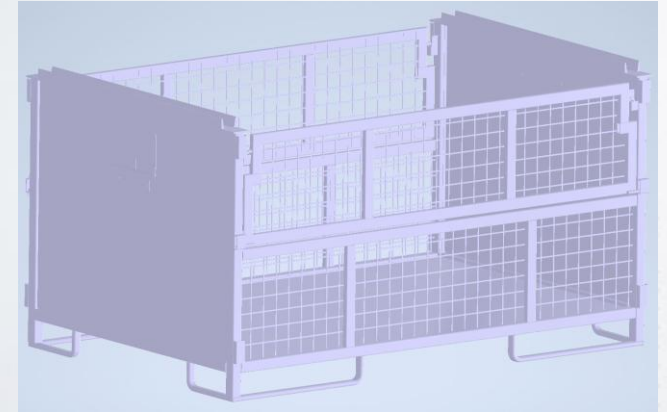
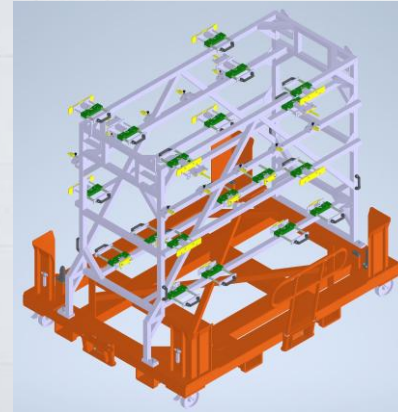
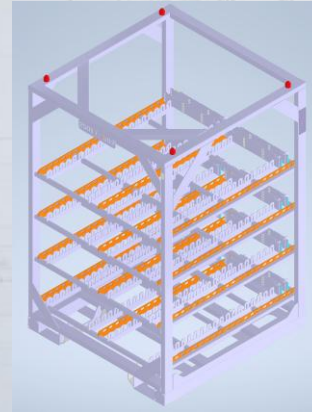
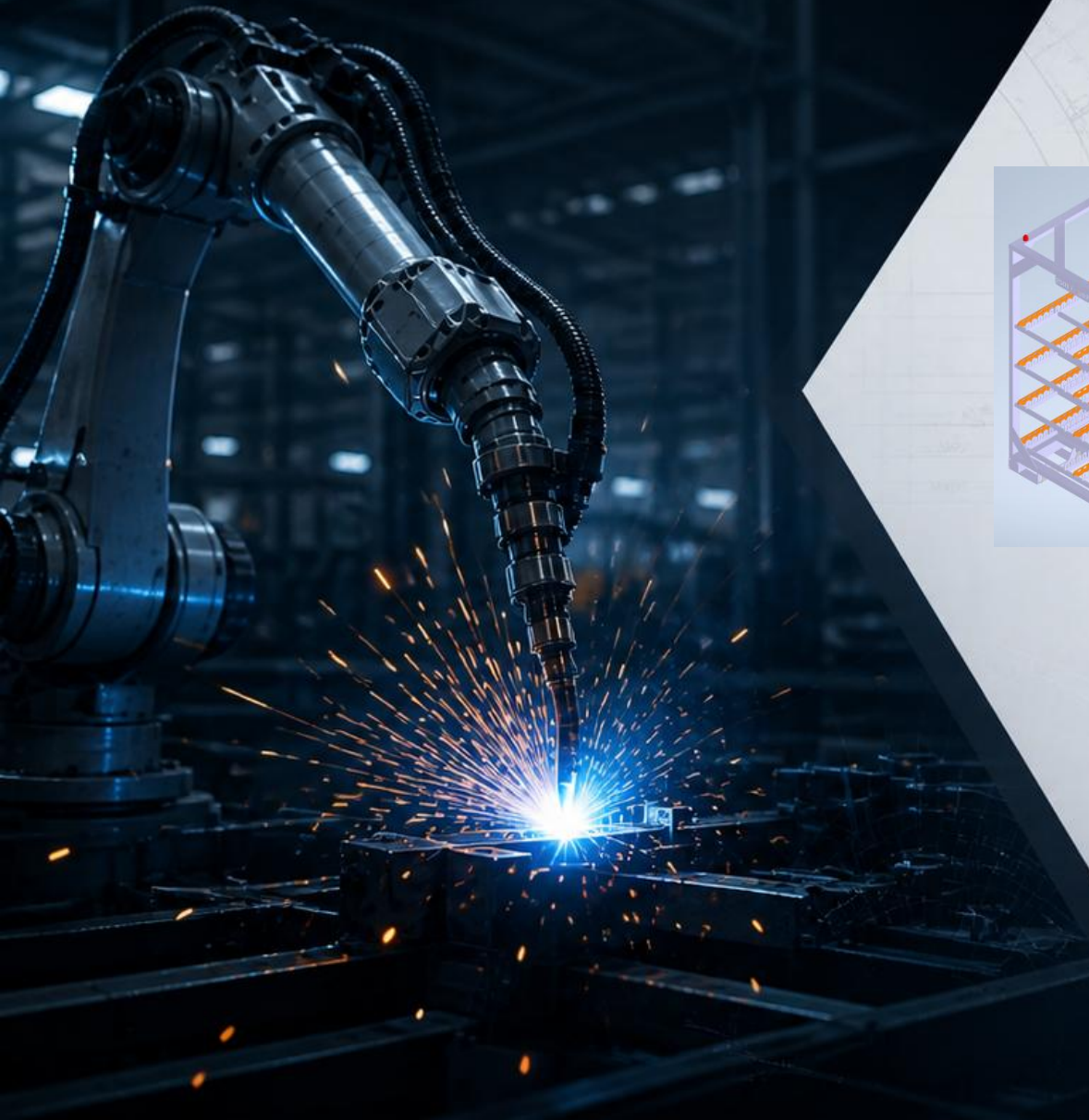
## PRODUCTION OF ROBOTIC WELDED STEEL STRUCTURES

Carts, pallets, baskets, shelves, racks - storage and logistic solutions for automotive market and other industries.

Production from customer documentation, modifications, upgrades or developing original solutions in accordance with client requirements



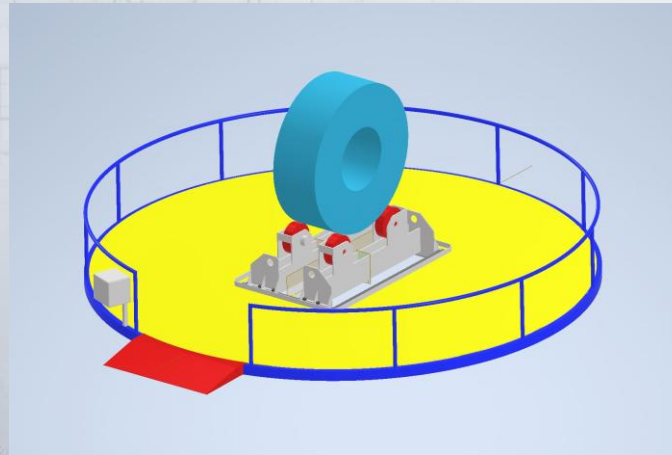
# Range of services



# Range of services



Custom concept of a turntable/rotator driving platform for packaging designed, developed, and manufactured on the client's specific order



# Own product

# BATASTAL

## PRODUCTION OF ROBOTIC WELDED STEEL STRUCTURES

Self custom-designed, in-house produced, validated and fully operative fertilizer and lime spreader



# Certificates and qualifications



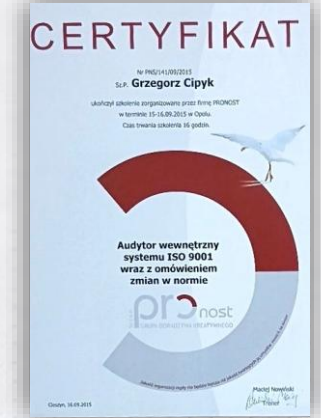
**Diploma of welding specialist in the field of railway vehicle construction**



**Certificate of competence ultrasonic testing UT2**



**Welder examiner license**



**ISO auditor certificate**



**EN ISO 9606 Welders Certificate**



**Diploma of International Welding Engineer IWE**



**Certificate of competence in visual testing VT2**

# Summary



**Totally customer focused**

**Super flexible approach**

**Highest technical competencies**

**Self custom-designes**

**Problem solving**

**Very efficient production proces**

**Impresive prices**

**Short deadlines**





# Thank you for uour attetion

## **BATA Firma Usługowo-Handlowa**

Adress:

Władysława Stanisława Reymonta 11

56-400 Oleśnica

[www.btastal.pl](http://www.btastal.pl)

Phone:

+48 504 036 026

+48 570 536 809

E-mail:

[sales@batastal.pl](mailto:sales@batastal.pl)

[kontakt@batastal.pl](mailto:kontakt@batastal.pl)

[biuro@batastal.pl](mailto:biuro@batastal.pl)

